

FIRE RATING



ITS Warnock Hersey listed

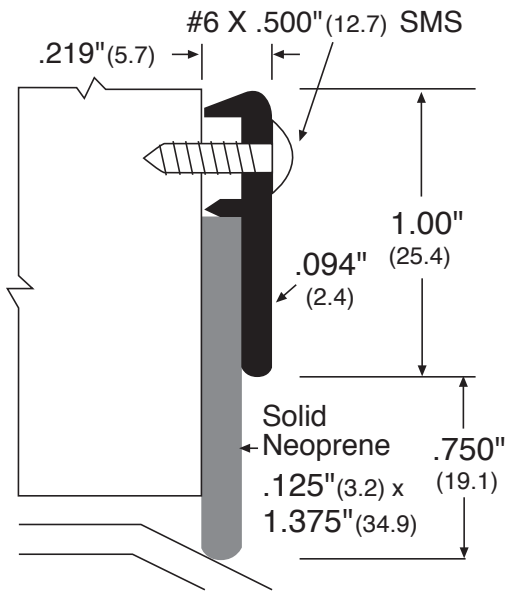


10B Classified up to 20 minutes

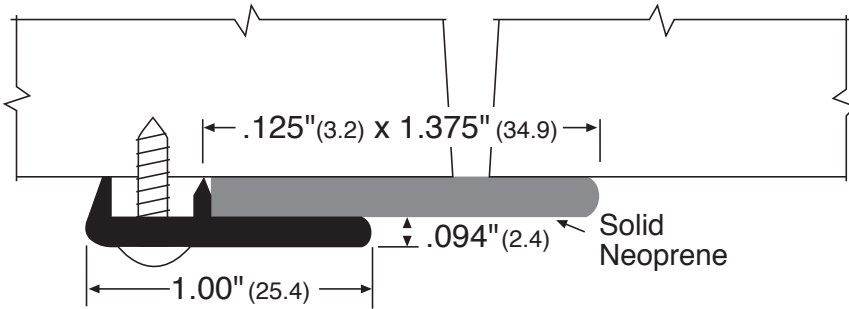
SMOKE PERFORMANCE



The rubber seal in this gasket provides protection from smoke infiltration in accordance with provisions of NFPA 101 Life Safety Code and NFPA 80 Standard for Fire Doors and Other Opening Protectives



Door Sweep
- Surface Mounted



Meeting Stile
- Surface Mounted
- One Door Active

ANSI/BHMA

Legend:

- AA = Clear Anodized
- B = Bronze
- D = Dark Bronze Anodized
- G = Gold Anodized

Door Sweep	#339AA / 339D / 339G	R3B434
	#339B	R1B434
Meeting Stile	#339AA / 339D / 339G	R3B634
	#339B	R1B634



415 Concord Avenue tel: 718.585.3230
Bronx, NY 10455 fax: 718.292.2243
email: zero@zerointernational.com
web site: www.zerointernational.com

Part No:
339

Notes:

Part Description:

See above for options

Provided By:

Customer Name:

Job No:

Date: